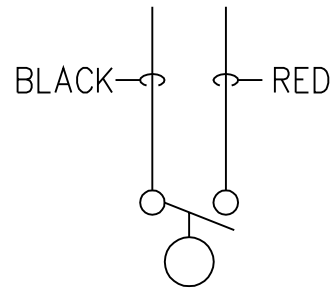


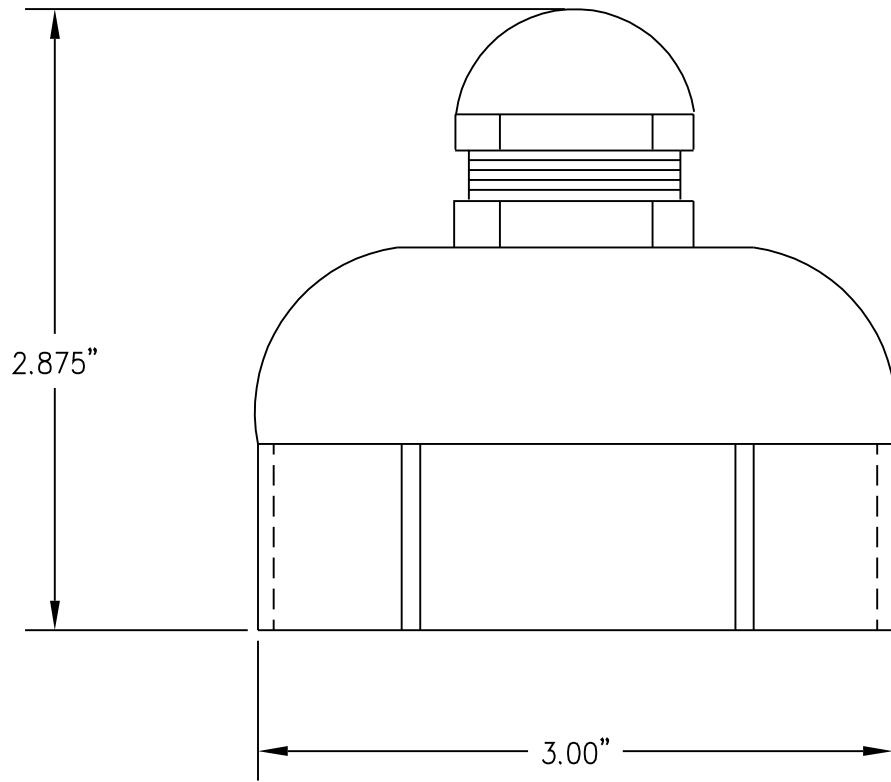
SPECIFICATIONS:

- MATERIAL: RAYTON/SS
- STEM: 1000 RAYTON
- FLOAT: 1000 BUNA N.O.
- SCREEN: 304 SS PERFORATED
- SWITCH: 50 WATT SPST N.O.
- WIRING: 2 COND CABLE WITH BLACK AND RED 22GA WIRE PVC 16 FEET




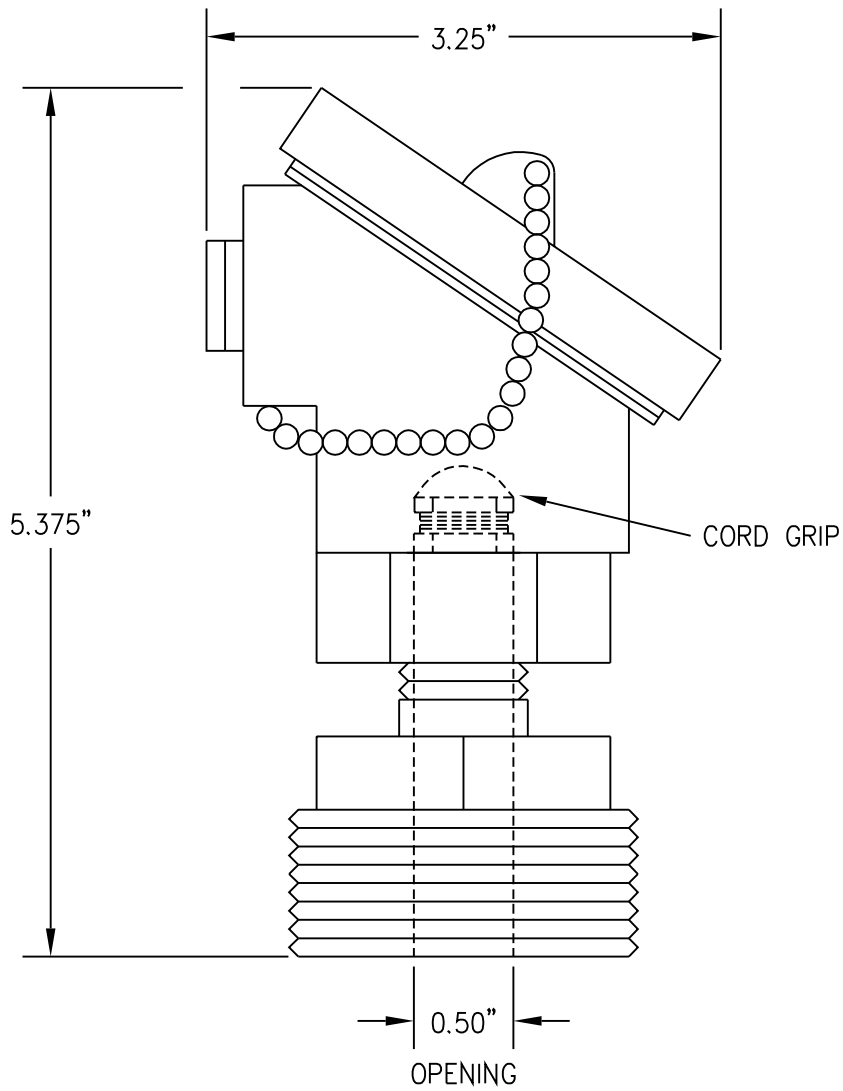
DATE	REVISIONS	BY

LIQUID LEAK SENSOR			
CUSTOMER			P.O. NO.
DRAWN ER	SCALE	SHEET NO. 1 OF 1	DWG NO. KWLP-1
CHECKED ER/WL	DATE 11/5/02		



SPECIFICATIONS:  
 MATERIAL: SCHEDULE 80 PVC  
 2" NPT FEMALE

				PVC SENSOR CAP			
				DRAWN ER	SCALE	SHEET NO. 1 OF 1	DWG NO. KWSC-2A
	DATE	REVISIONS	BY	CHECKED ER/WL	DATE 11/5/02		



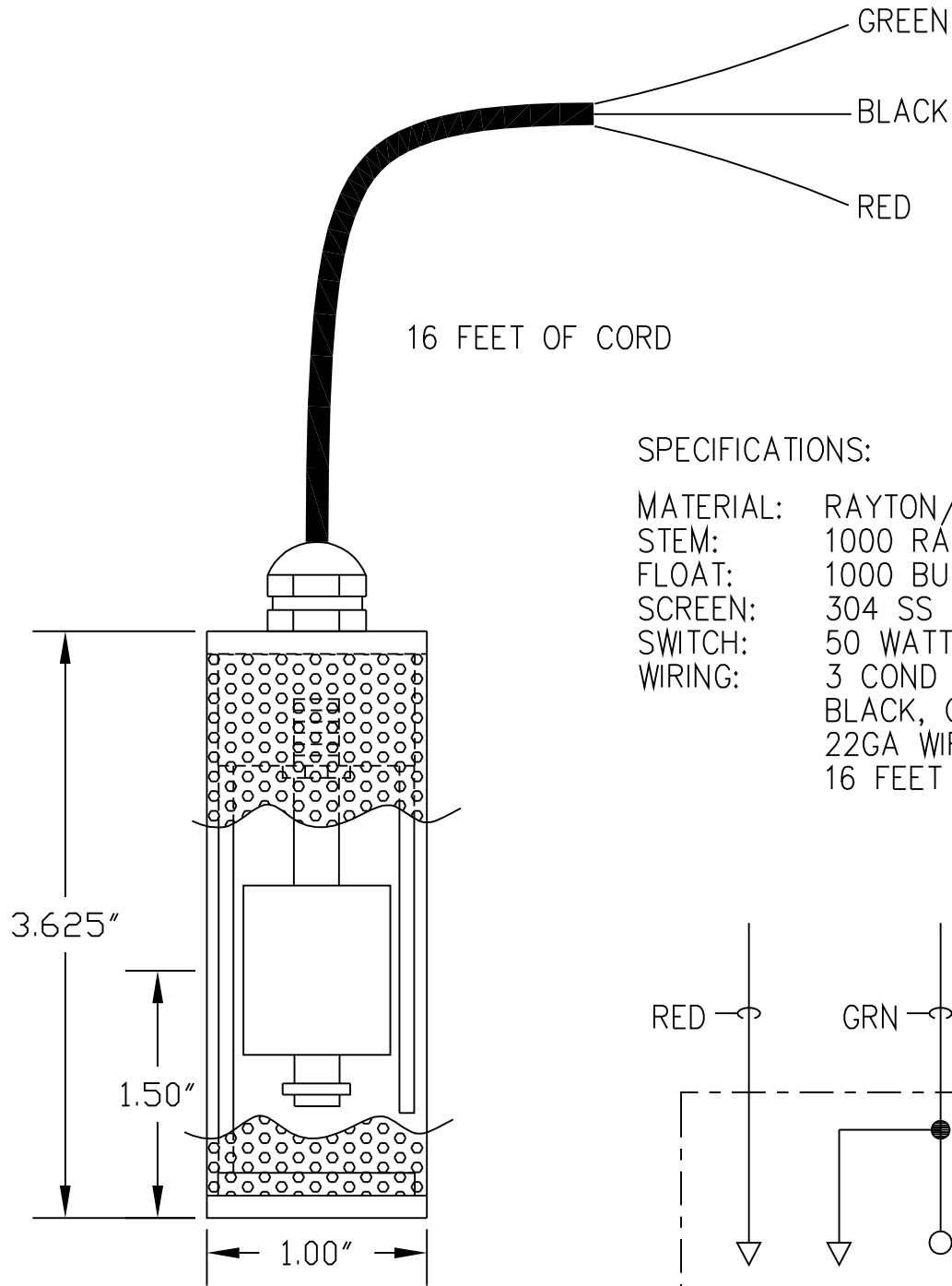
SPECIFICATIONS:  
 MATERIAL: BRASS / ALUMINUM  
 2" NPT MALE



DATE	REVISIONS	BY

HEAVY DUTY  
NEMA 4X HEAD

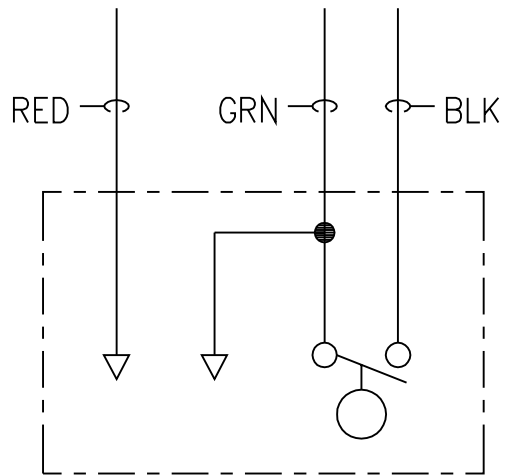
CUSTOMER			P.O. NO.	
DRAWN	ER	SCALE	SHEET NO.	DWG NO.
CHECKED	ER/WL	DATE 11/5/02	1 OF 1	KWSC-2B



16 FEET OF CORD

SPECIFICATIONS:

MATERIAL: RAYTON/SS  
 STEM: 1000 RAYTON  
 FLOAT: 1000 BUNA N.O.  
 SCREEN: 304 SS PERFORATED  
 SWITCH: 50 WATT SPST N.O.  
 WIRING: 3 COND CABLE WITH  
 BLACK, GREEN, AND RED  
 22GA WIRE PVC  
 16 FEET



DATE	REVISIONS	BY

FUEL/WATER LEAK SENSOR

CUSTOMER			P.O. NO.	
DRAWN	ER	SCALE	SHEET NO.	DWG NO.
CHECKED	ER/WL	DATE 11/5/02	1 OF 1	KWSP-1